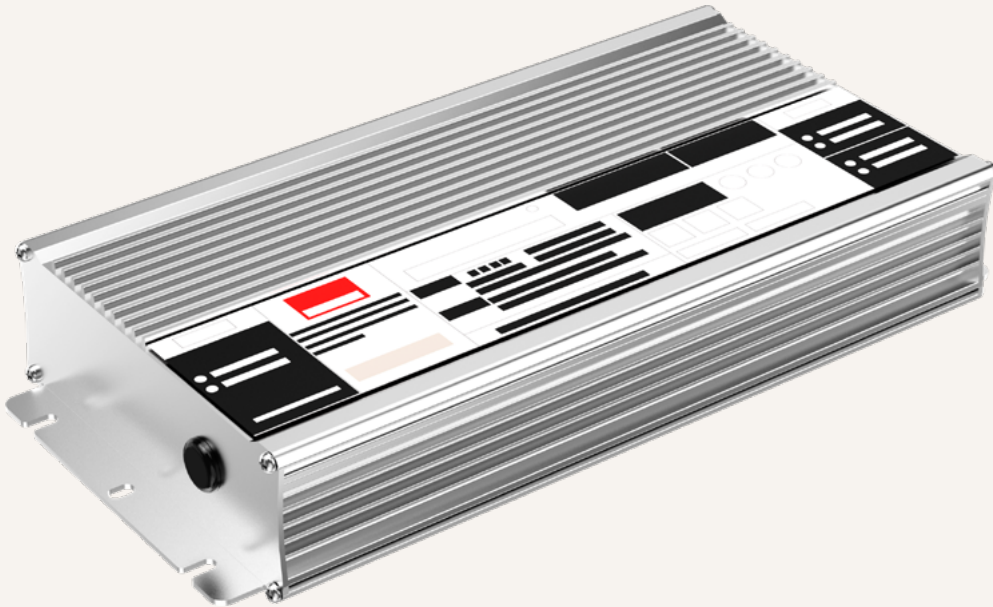


TIP3

series



Product Segments

- **Industrial Motion**

TiMOTION TIP series-TIP3 is a 480W AC to DC power supply with a constant output voltage design. The TIP3 can work under the input voltage between 90 to 305V AC and provides the 24V DC output voltage.

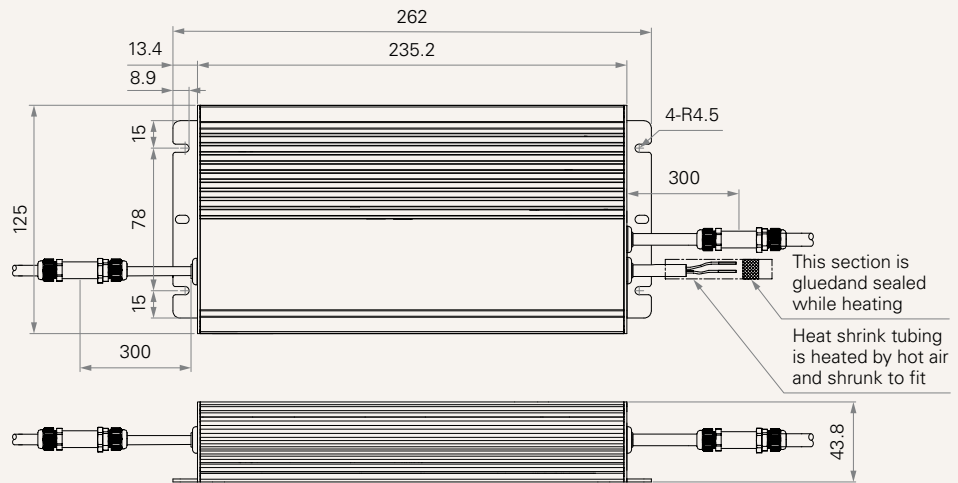
Its conversion efficiency rate is up to 95.5%. Therefore, it will not generate too much heat and can work in ventilated conditions. With a fanless design, TIP3 can also reduce noise. Its operational temperature is around -40°C to +85°C. TIP3 has a metal appearance and provides IP67 protection suitable for either outdoor or indoor applications.

General Features

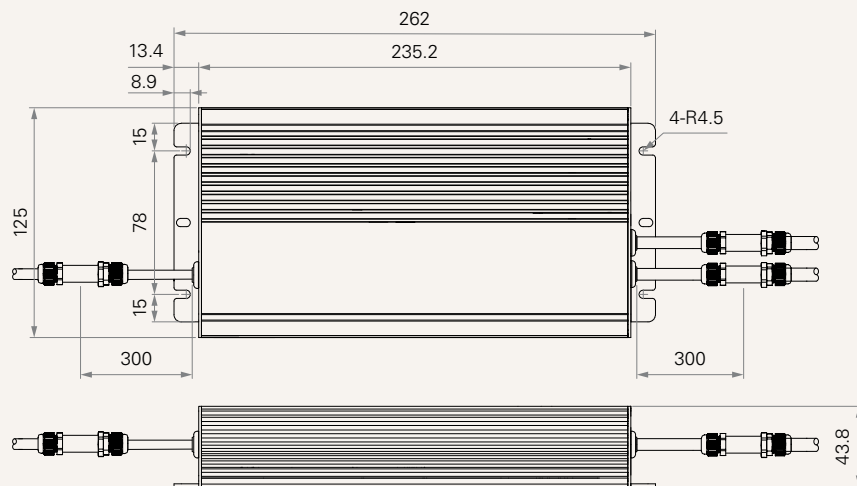
Transformer type	SMPS
Input voltage	90~305V AC
Max. output	24V DC, 20A
Plug support	EU, USA, AUS, UK, JPN
IP rating	IP67
Certificate	UL, KC, ENEC, PSE, CCC, CB, EMC, CE and UKCA Declaration
Operational temperature range	-40°C~+85°C

Drawing

Dimension with P1 Cable
(mm)



Dimension with P1 & P2 Cable
(mm)



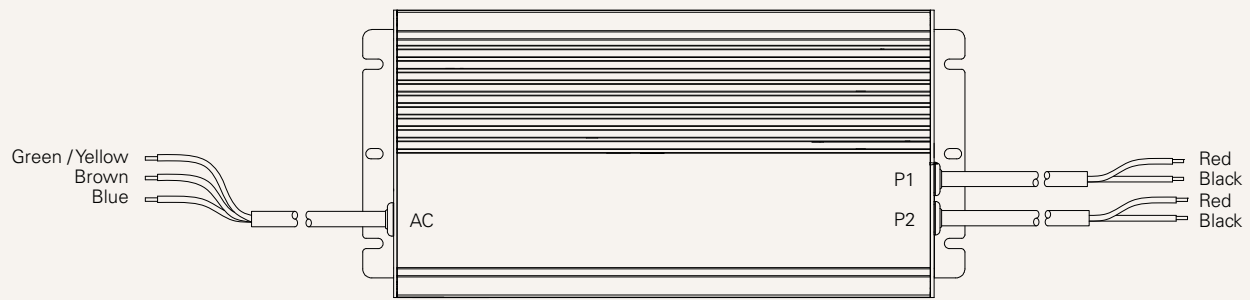
TIP3 Ordering Key

TIP3

Version: 20240329-C

Connector (AC)	2 = Tinned Lead 3 = EU	4 = USA 5 = AUS	6 = UK 7 = JPN
AC Cable Length (mm)	1 = 300	2 = 1000	3 = 2000
Connector (P1 DC)	2 = Tinned Lead		
P1 DC Cable Length (mm)	1 = 300	2 = 1000	3 = 2000
See page 2			
Connector (P2 DC)	2 = Tinned Lead		
P2 DC Cable Length (mm)	0 = Without cable (include heat shrinking tubing) 1 = 300		2 = 1000 3 = 2000
See page 2			
IP Rating	7 = IP67		

Cable Output



Terms of Use

The user is responsible for determining the suitability of TiMOTION products for a specific application. TiMOTION products are subject to change without prior notice.