

TES2

series



Product Segments

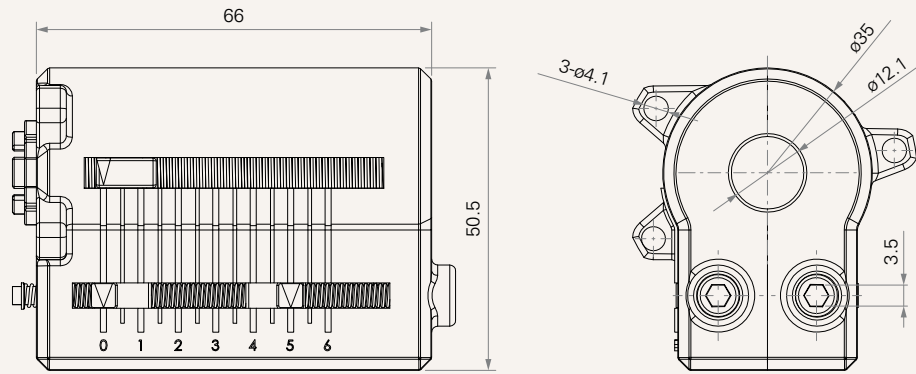
- **Ergo Motion**

General Features

Especially designed for TGM series

Drawing

Standard Dimensions
(mm)



Terms of Use

The user is responsible for determining the suitability of TiMOTION products for a specific application. TiMOTION products are subject to change without prior notice.