

TBB8

series



Product Segments

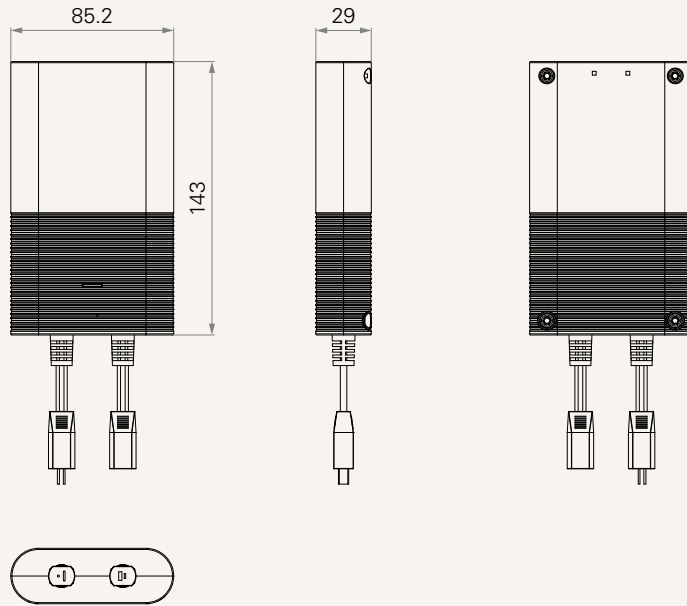
• Comfort Motion

General Features

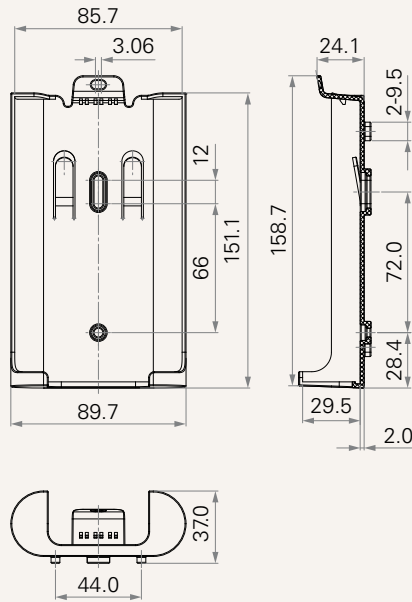
Battery type	Lithium
Capacity	1.5Ah
Discharging voltage	24V DC, 1.5A
Charging voltage	24~35V DC
Color	Black
IP rating	IP54
Certificate	IEC62133-2:2017
LED indication (for charge / discharge status)	
With built-in buzzer	
Detachable bracket	
Low standby power consumption	

Drawing

Standard Dimensions
(mm)



Mounting Bracket
(mm)



TBB8

Version: 20180600-D

Input Connector (Plug)	3 = Long DIN 5P	7 = Small 01P
Input Cable Length (mm)	1 = Straight, 100	2 = Straight, 150
Output Connector (Socket)	3 = Long DIN 5P	8 = Small 01P
Output Cable Length (mm)	1 = Straight, 100	2 = Straight, 150
Color	1 = Black	
On / Off Switch	0 = Without	
Buzzer	1 = With	
Mounting Bracket	1 = With. Mounting holes for screw	
IP Rating	1 = Without	2 = IP54

Terms of Use

The user is responsible for determining the suitability of TiMOTION products for a specific application. TiMOTION products are subject to change without prior notice.